

# RSi

SMARTCANOPY®

LESS STANDARD, MORE SMART



## FITMENT INSTRUCTIONS

MITSUBISHI TRITON D/C & S/C  
FIAT FULLBACK D/C & S/C



PLEASE ENSURE TO READ FITMENT INSTRUCTIONS CAREFULLY  
BEFORE ATTEMPTING TO INSTALL.





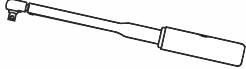
LIKE | SHARE | FOLLOW

# FITMENT KIT CONTENTS & REQUIRED TOOLS

## FITMENT KIT CONTENT (COMPONENTS)

	DESCRIPTION	QTY	EXAMPLE
CLAMP	Mounting Clamp	6	
	Clamp Square Tube	6	

## REQUIRED TOOLS

	CATEGORY	TOOLS	EXAMPLE
TOOLS	Socket wrench	No. 13 SOCKET	
	Flat Spanners	NO. 13 FLAT SPANNER	
	Torque Wrench	FULL SET	

# FITMENT KIT CONTENTS & REQUIRED TOOLS

PLEASE ADHERE TO BELOW TO PREVENT DAMAGE TO THE VEHICLE AND RSI SMARTCANOPY DURING FITMENT



1. ONLY USE THE RECOMMENDED TOOLS AS INDICATED IN THE FITMENT INSTRUCTION ABOVE
2. ONLY USE THE HARDWARE PROVIDED IN THE FITMENT KIT OUTLINED ON THE PAGE BEFORE
3. HANDLE ALL RSI SMARTCANOPY FITMENT COMPONENTS WITH CARE UPON UNPACKING.
4. IT IS RECOMMENDED THAT THE MINIMUM OF FOUR PEOPLE ARE USED TO LIFT THE RSI SMARTCANOPY.
5. NEVER USE ACETONE ON PAINTWORK

## STEP ONE

1. UNPACK ALL COMPONENTS & THE HARDWARE KIT FROM PACKAGING; ENSURE THAT EVERYTHING IS ACCOUNTED FOR AS INDICATED ON PAGE BEFORE
2. WHEN UNPACKING COMPONENTS, PLEASE PLACE THEM ON A PROTECTED SURFACE (E.G. FOAM) TO ENSURE THAT THE PAINT IS NOT DAMAGED OR SCRATCHED

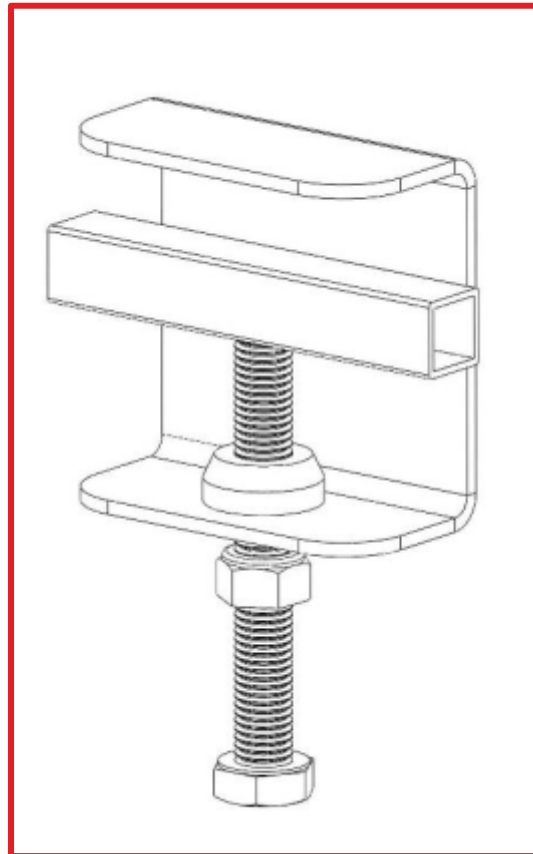
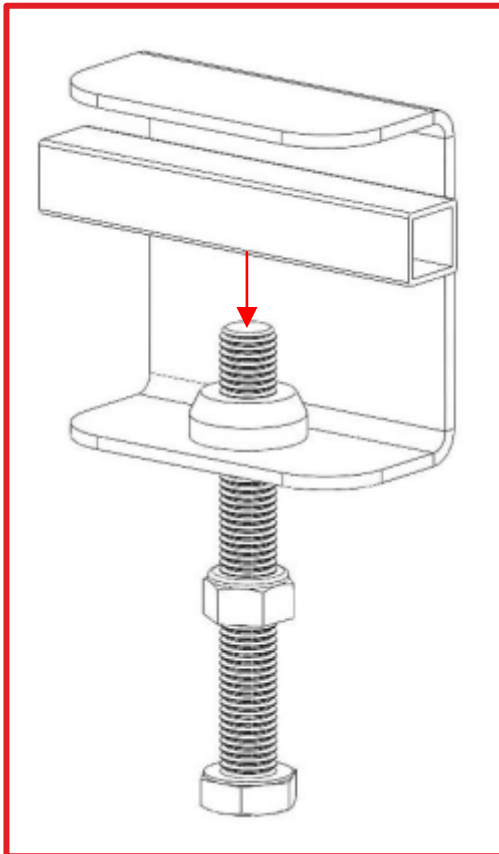
## STEP TWO

1. UNPACK ALL COMPONENTS & THE HARDWARE KIT FROM PACKAGING; ENSURE THAT EVERYTHING IS ACCOUNTED FOR AS INDICATED ON PAGE BEFORE
2. WHEN UNPACKING COMPONENTS, PLEASE PLACE THEM ON A PROTECTED SURFACE (E.G. FOAM) TO ENSURE THAT THE PAINT IS NOT DAMAGED OR SCRATCHED



## STEP THREE

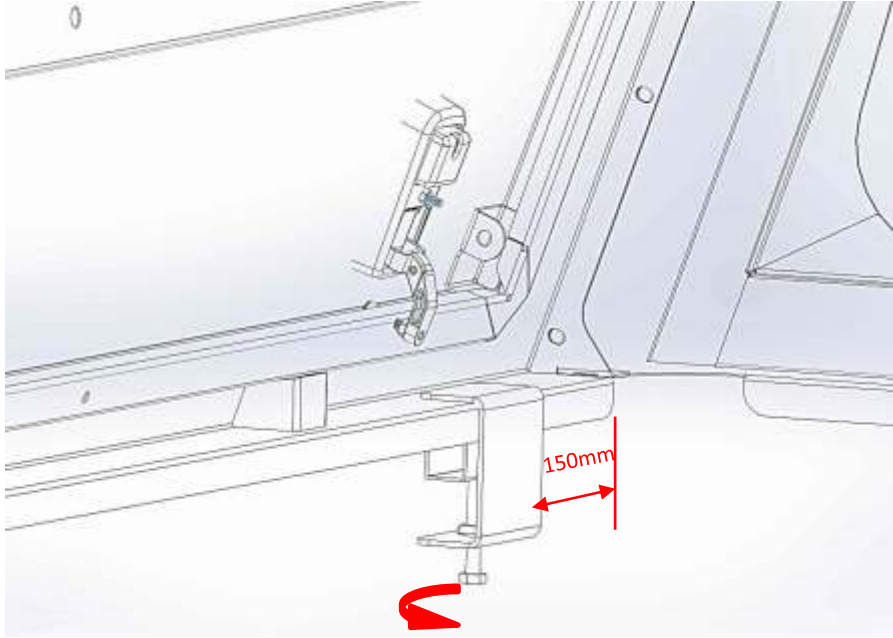
1. PLACE THE SQUARE TUBE ON TO THE BOLT OF THE MOUNTING CLAMP.



# FITMENT OF THE RSI SMARTCANOPY TO VEHICLE

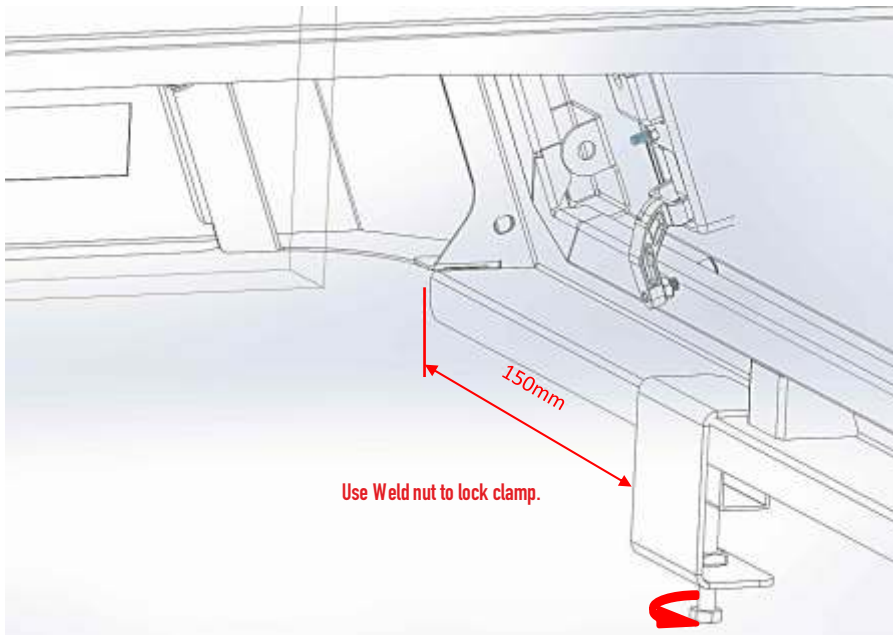
## STEP FOUR

1. PLACE THE MOUNTING CLAMP OVER THE CANOPY SIDE SILL.
2. MAKE SURE THAT THE SQUARE TUBE IS UNDERNEATH THE LOAD BIN SIDE SILL.
3. DOUBLE CHECK THE CANOPY IS CENTRALLY POSITIONED ON TO THE LOAD BIN.
4. LOOSELY FASTEN THE BOLT.



## STEP FOUR

1. POSITION ALL THE MOUNTING CLAMPS EQUALLY (3 PER SIDE)
2. THE FRONT AND REAR MOUNTING CLAMPS SHOULD BE POSITIONED 150MM FROM EDGE OF THE CANOPY SIDE LIP ( PICTURED BELOW )
3. TIGHTEN ALL THE MOUNTING CLAMPS EQUALLY TO COMPRESS THE RUBBER SEAL ALONG THE BOTTOM OF THE CANOPY.
4. ONCE ALL THE MOUNTING CLAMPS HAVE BEEN SUFFICIENTLY TIGHTENED LOCK THE BOLT WITH NYLOC NUT



**THANK YOU** FOR PURCHASING A RSI SMARTCANOPY.  
SHOULD YOU HAVE ANY ENQUIRIES ABOUT THE FITMENT, FEEL FREE TO CONTACT US